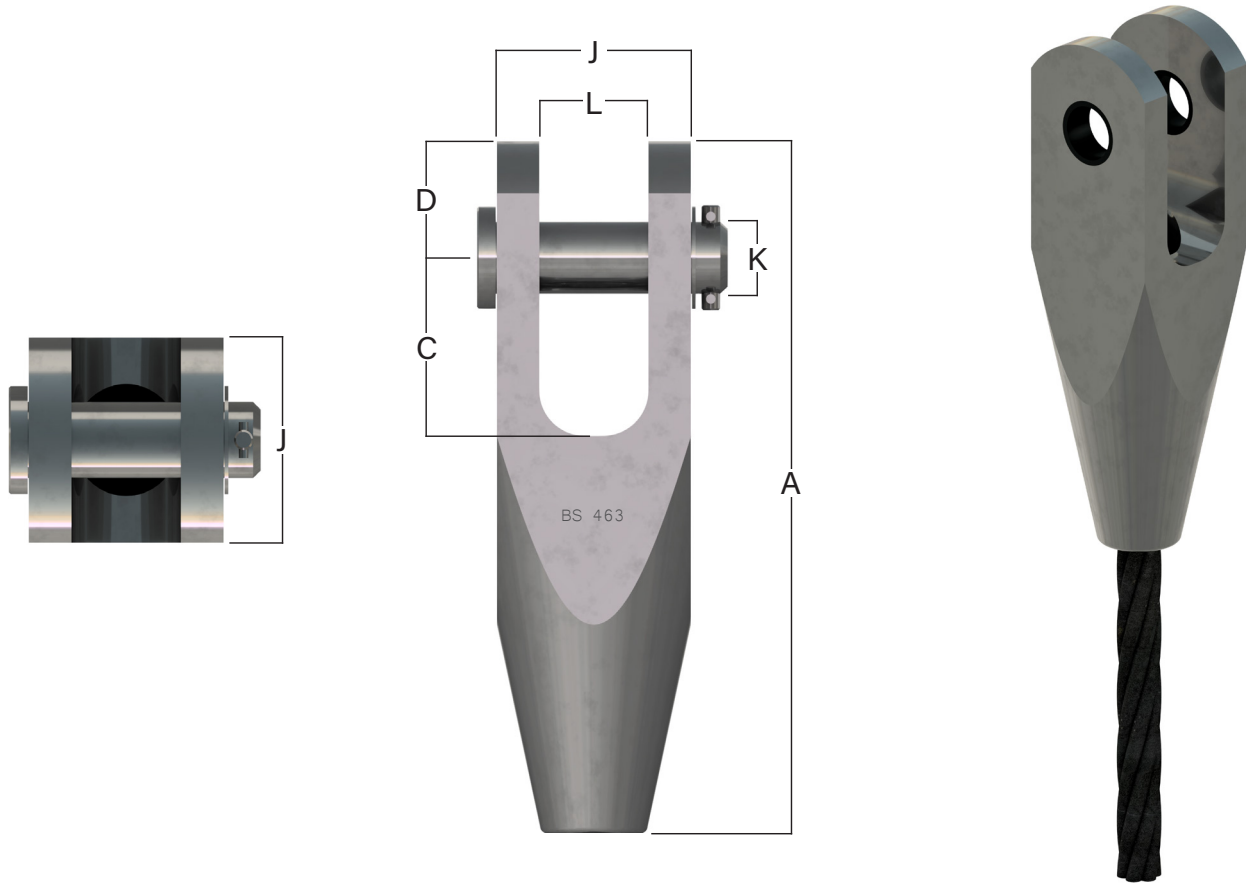


BALANCE ROPE SOCKETS



DIMENSIONS & DATA

ROPE Ø	SAFE WORKING LOAD	A	C	D	J	K	L	APPROX WEIGHT
		tonf	in	in	in	in	in	in
in								
7/8	3.10	8 9/16	2 5/8	1 7/8	3 1/16	1 3/8	1 3/4	7
1	3.94	9 3/4	2 15/16	2 1/16	3 7/16	1 9/16	2	10
1 1/8	4.92	10 15/16	3 3/8	2 3/8	3 7/8	1 3/4	2 5/16	15
1 1/4	6.15	12 5/16	3 11/16	2 5/8	4 7/16	2	2 9/16	21
1 7/16	7.87	13 7/8	4 3/16	2 15/16	4 15/16	2 5/16	2 13/16	31
1 9/16	9.84	15 5/16	4 9/16	3 1/4	5 1/2	2 9/16	3 3/16	42
1 3/4	12.30	17 3/16	5 1/8	3 5/8	6 1/8	2 13/16	3 9/16	55
1 15/16	15.75	19 1/8	5 11/16	4	6 3/4	3 3/16	3 7/8	84
2 3/16	19.68	21 5/16	6 5/16	4 1/2	7 1/2	3 9/16	4 1/4	112
2 3/8	22.14	23 7/16	7 3/8	4 13/16	8 1/16	3 7/8	4 1/2	148
2 1/2	24.61	24 5/8	7 11/16	5 1/8	8 1/2	4 1/4	4 3/4	174
2 5/8	28.05	26 1/4	8 1/4	5 7/16	9 1/16	4 1/2	5 1/16	207
2 13/16	31.49	27 13/16	8 3/4	5 3/4	9 5/8	4 3/4	5 1/4	249
2 15/16	35.43	29 3/16	9 1/8	6 1/16	10 1/16	5 1/16	5 9/16	287

ton = 2240 lb